



## WPD2-300-600-50-N

2-Way, 0.3~0.6GHz

### Features:

- \* Small Size
- \* Low Insertion Loss

### Applications:

- \* Amplifiers
- \* Mixers
- \* Antennas
- \* Laboratory Test

### Electrical

Frequency:	0.3~0.6GHz
Insertion Loss:	0.3dB max.
Input VSWR:	1.2 max.
Output VSWR:	1.2 max.
Isolation:	20dB min.
Amplitude Balance:	0.2dB max.
Phase Balance:	$\pm 2^\circ$
Impedance:	50 $\Omega$
Power @SUM Port:	50W max. as divider 5W max. as combiner

### Mechanical

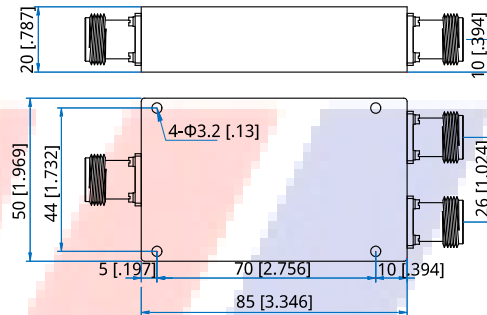
Size <sup>*1</sup> :	85*50*20mm 3.346*1.969*0.787in
Connectors:	N Female
Mounting:	4- $\Phi 3.2$ mm through-hole

[1] Exclude connectors.

### Environmental

Operation Temperature:	-35~+75°C
------------------------	-----------

### Outline Drawings



Unit: mm [in]

Tolerance:  $\pm 0.5$ mm [ $\pm 0.02$ in]

### How To Order

**WPD2-300-600-50-N**

Customization is available upon request.