



WPD2-100-400-30-N

2-Way, 0.1~0.4GHz

Features:

- * Small Size
- * Low Insertion Loss

Applications:

- * Amplifiers
- * Mixers
- * Antennas
- * Laboratory Test

Electrical

Frequency:	0.1~0.4GHz
Insertion Loss:	1.0dB max.
Input VSWR:	1.2 max.
Output VSWR:	1.2 max.
Isolation:	22dB min.
Amplitude Balance:	0.2dB max.
Phase Balance:	$\pm 2^\circ$
Impedance:	50 Ω
Power @SUM Port:	30W max. as divider 2W max. as combiner

Mechanical

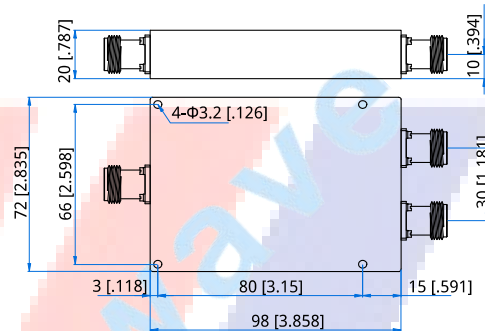
Size ^{*1} :	98*72*20mm 3.858*2.835*0.787in
Connectors:	N Female
Mounting:	4- Φ 3.2mm through-hole

[1] Exclude connectors.

Environmental

Operation Temperature:	-35~+75°C
------------------------	-----------

Outline Drawings



Unit: mm [in]
Tolerance: ± 0.5 mm [± 0.02 in]

How To Order

WPD2-100-400-30-N

Customization is available upon request.