



# WABS1

## BNC to SHV

Features:  
\* Low VSWR

Applications:  
\* Wireless  
\* Transmitter  
\* Laboratory Test  
\* Radar

### Electrical

Frequency:	DC~0.3GHz
Dielectric Withstanding Voltage:	1500V RMS, 50Hz, at sea level, min.
Impedance of Dielectric:	5000MΩ min.
Impedance of Contact (Center):	2mΩ max.
Impedance of Contact (Outer):	1mΩ max.
Impedance:	50Ω

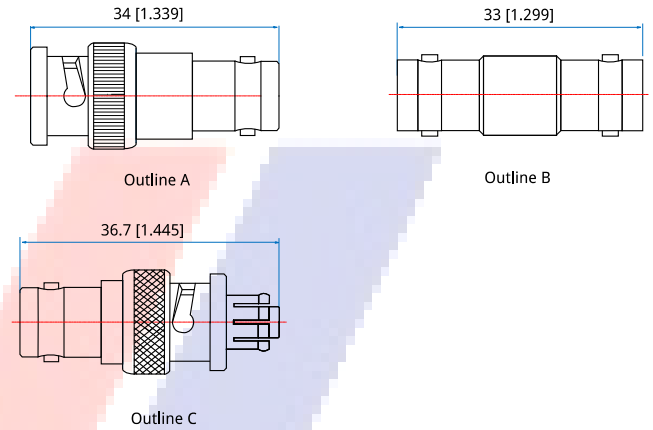
### Mechanical

RF Connectors:	BNC SHV
Mating Life Cycle:	500 cycles min.
Outer Conductor:	Nickel plated brass
Dielectric:	PTFE
Inner Conductor:	Gold plated brass

### Environmental

Temperature:	-45~+125°C
--------------	------------

### Outline Drawings



Unit: mm [in]  
Tolerance: ±0.2mm [±0.008in]

### How To Order

- WABS1-MM** - BNC (m) to SHV (m), Outline A
- WABS1-FM** - BNC (f) to SHV (m), Outline B
- WABS1-FF** - BNC (f) to SHV (f), Outline C

Customization is available upon request.